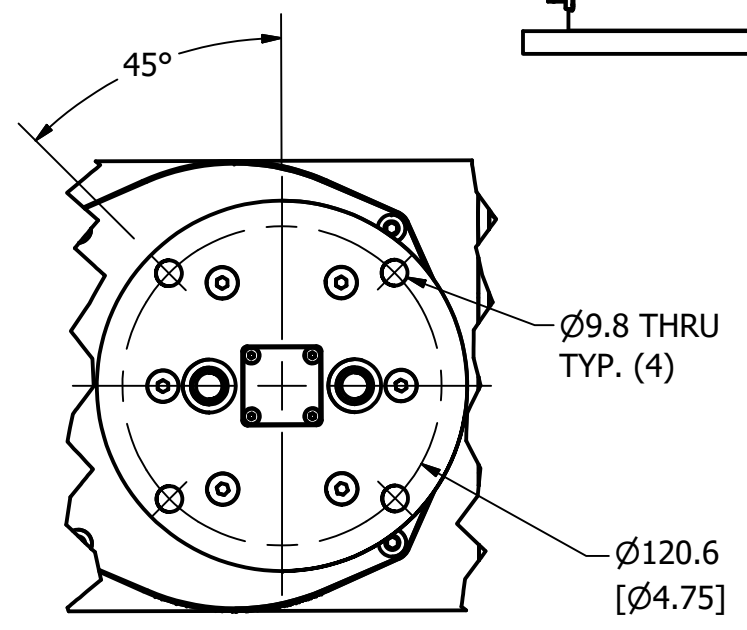
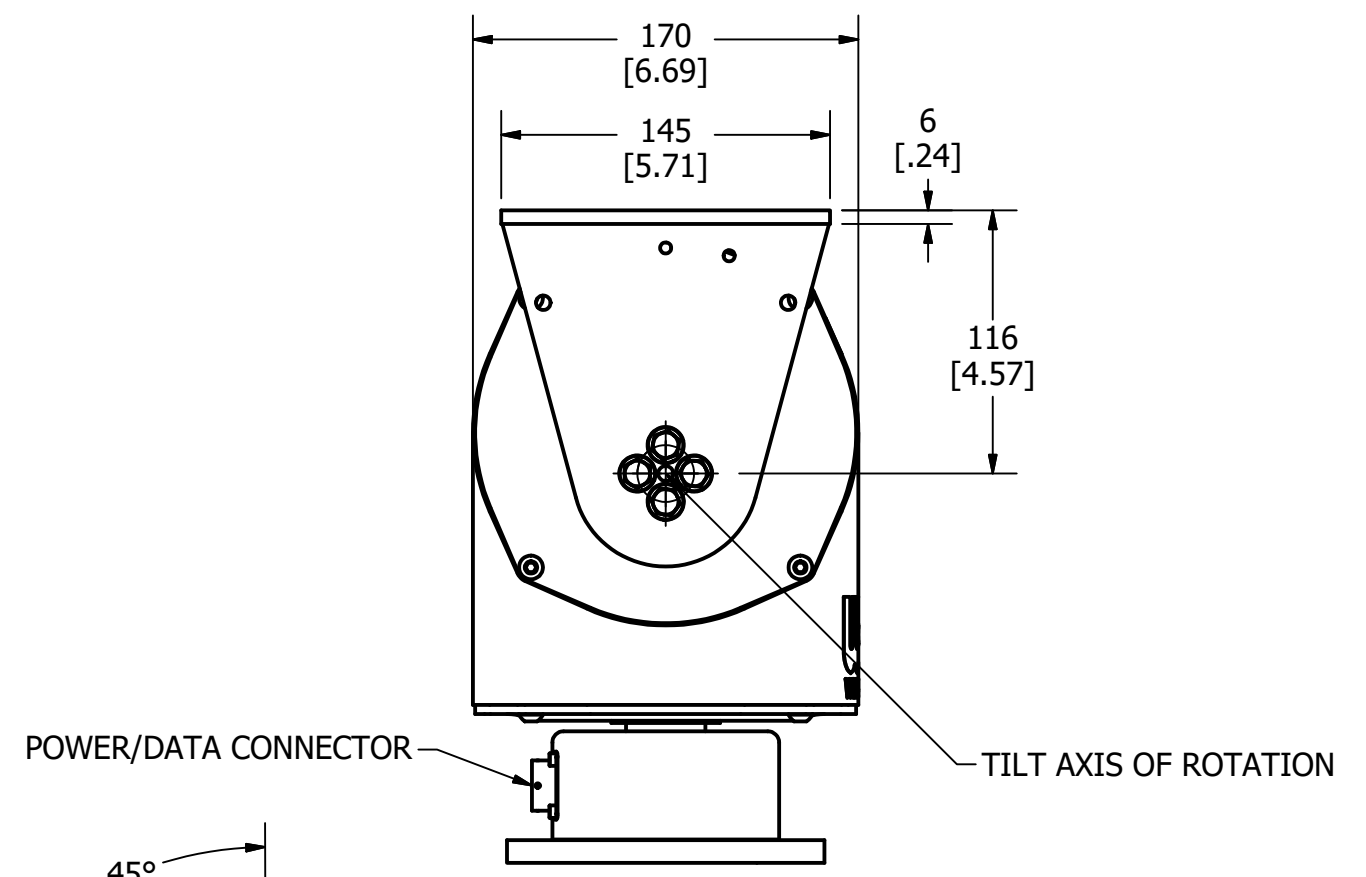
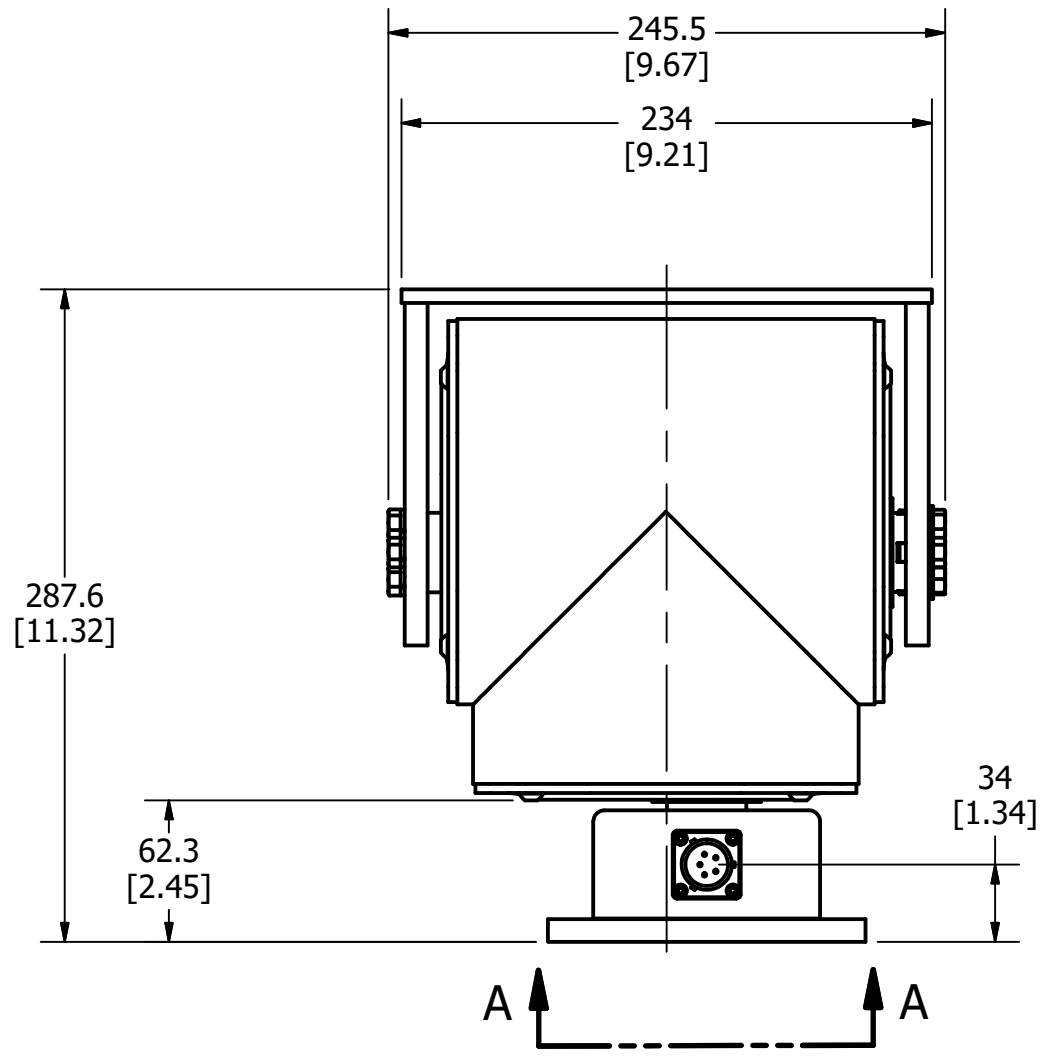


CUSTOMER DRAWING 1 OF 2



VIEW A-A
BASE MOUNTING RING



TABLE	
SPECIFICATION	VALUE
PAN GEAR BOX SPEED (MAX)	6.5°/sec
TILT GEAR BOX SPEED (MAX)	5.5°/sec
MAX LOAD	75 ft-lb
PAN RANGE	±200°
TILT RANGE	±90°
BACKLASH	0.15°
REPEATABILITY	0.3°
INGRESS PROTECTION	IP68
TEMPERATURE RANGE	-20°C to +50°C
POWER INPUT	24VDC (Standard)
MAX CURRENT DRAW	1.85 A
PROTOCOL	PELCO D
ABSOLUTE POSITIONING	YES
POSITIONAL FEEDBACK	YES
APPLICATION	VEHICLE
SPECIFICATIONS	MIL-STD-810G

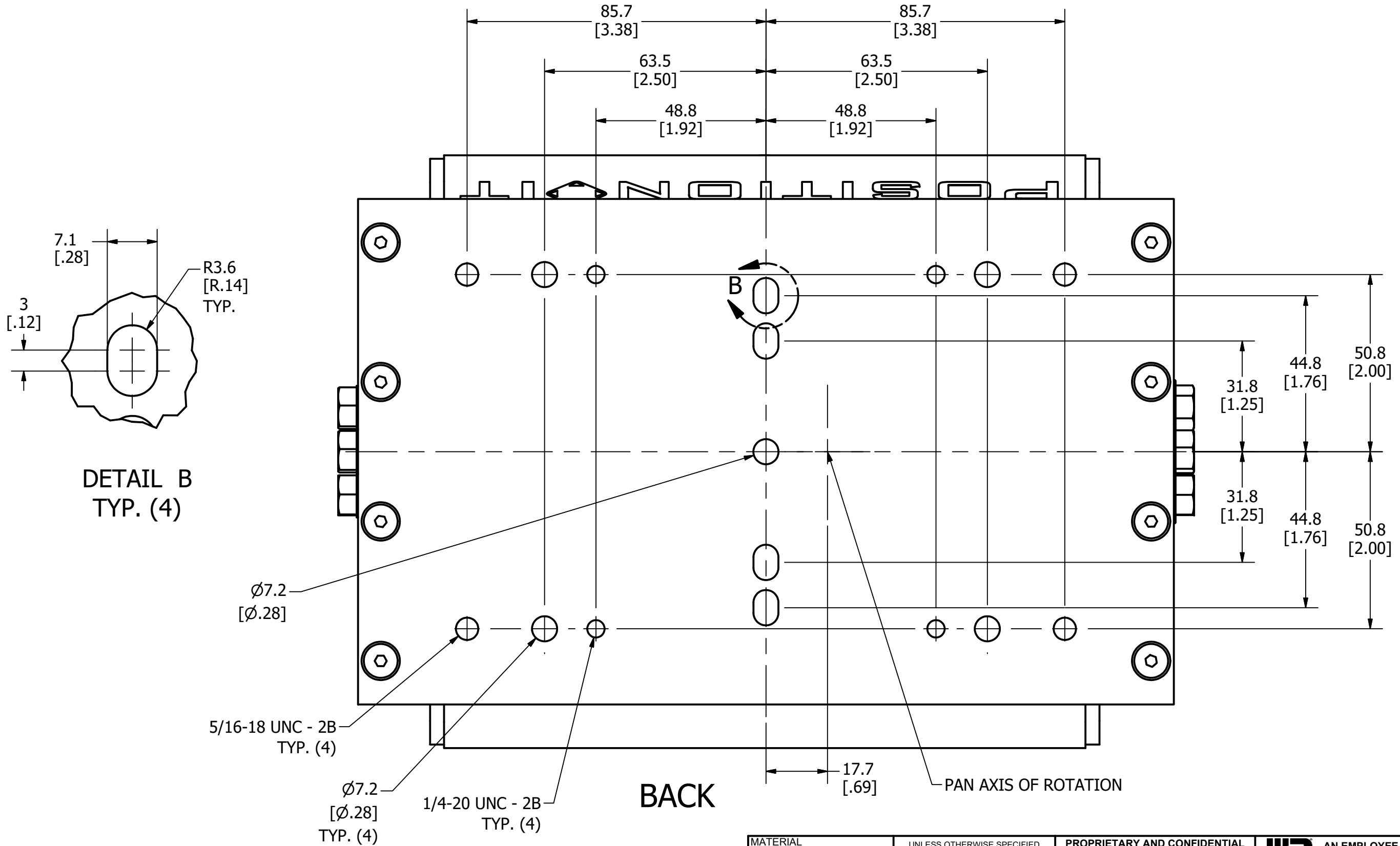
TABLE	
PART NUMBER	PAINT COLOUR
HM211TX2DXRX2-00	GOOSE GREY
HM211TX2DXRX2-01	BLACK
HM211TX2DXRX2-02	WHITE

MATERIAL ALUMINIUM BODY & SSTL HARDWARE FINISH SEE TABLE APPROX. WT: 15.9kg [35lb] THIRD ANGLE PROJECTION	UNLESS OTHERWISE SPECIFIED DIMENSIONS ARE IN MILLIMETERS [ALTERNATE UNITS IN INCHES] ALL DIMENSIONS AND PERFORMANCE PARAMETERS ARE PROVIDED FOR REFERENCE ONLY AND ARE SUBJECT TO CHANGE WITHOUT NOTICE. ALTERNATIVE FINISH OPTIONS AVAILABLE UPON REQUEST	PROPRIETARY AND CONFIDENTIAL THE INFORMATION CONTAINED IN THIS DRAWING IS THE SOLE PROPERTY OF THE WILL-BURT COMPANY. ANY REPRODUCTION IN PART OR WHOLE WITHOUT THE WRITTEN PERMISSION OF THE WILL-BURT COMPANY IS PROHIBITED.		W3 WILL-BURT AN EMPLOYEE OWNED COMPANY ORRVILLE, OH TITLE: CUSTOMER DRAWING	
		APPROVALS DRAWN: AD CHECKED: AH	DATE 30/06/2022 05/01/2023 SCALE: NONE	SIZE: A3 DWG NO: HM211TXXDXRX2 P/N: HM211TXXDXRX2-XX	REV: 1

PAYLOAD MOUNTING PLATE

FRONT

CUSTOMER DRAWING 2 OF 2



MATERIAL ALUMINIUM BODY & SSTL HARDWARE	UNLESS OTHERWISE SPECIFIED DIMENSIONS ARE IN MILLIMETERS [ALTERNATE UNITS IN INCHES]	PROPRIETARY AND CONFIDENTIAL THE INFORMATION CONTAINED IN THIS DRAWING IS THE SOLE PROPERTY OF THE WILL-BURT COMPANY. ANY REPRODUCTION IN PART OR WHOLE WITHOUT THE WRITTEN PERMISSION OF THE WILL-BURT COMPANY IS PROHIBITED.		WILL-BURT AN EMPLOYEE OWNED COMPANY ORRVILLE, OH		
		ALL DIMENSIONS AND PERFORMANCE PARAMETERS ARE PROVIDED FOR REFERENCE ONLY AND ARE SUBJECT TO CHANGE WITHOUT NOTICE.		TITLE CUSTOMER DRAWING		
FINISH SEE TABLE	APPROX. WT: 15.9kg [35lb] THIRD ANGLE PROJECTION	APPROVALS DRAWN AD CHECKED AH		DATE 30/06/2022 05/01/2023		
ALTERNATIVE FINISH OPTIONS AVAILABLE UPON REQUEST		SCALE: NONE		SIZE A3	DWG NO HM211TXXDXRX2	REV 1
		PN HM211TXXDXRX2-XX				